



Model Number

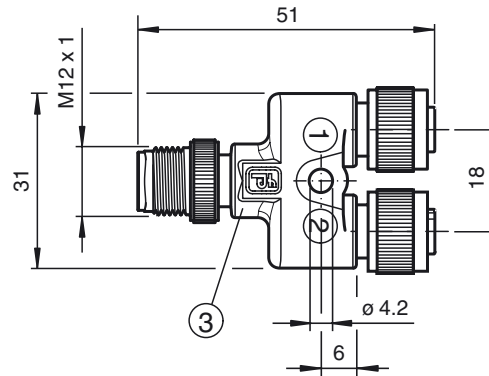
V15S-Y24B-V15/V15

Y-Splitter, M12 plug to 2 x M12 socket

Features

- Simple assembling of 2 signals to one M12 plug-in station
- Suitable for normally open/closed
- Immunity to vibration
- Degree of protection IP67
- Gold plated contacts
- Pins 2 and 4 bridged

Dimensions



Technical data

General specifications

Number of pins	5
Coding	A
UL File Number	E231213

Electrical specifications

Operating voltage	U_B	48 V AC 60 V DC
Operating current	I_B	4 A
Volume resistance		< 5 m Ω

Ambient conditions

Ambient temperature	-40 ... 90 °C (-40 ... 194 °F)
Pollution degree	3

Mechanical specifications

Degree of protection	IP65/IP67
Connection	1 x M12 connector, straight 2 x M12 straight sockets
Material	
Contacts	CuZn
Contact surface	Ni/Au
Body	TPU
Slotted nut	Zinc die-casting, nickel-plated
Flammability	
Housing	94 V-2

Compliance with standards and directives

Standard conformity	
Degree of protection	EN 60529

Approvals and certificates

UL approval	UL Recognized General purpose
Maximum permissible operating voltage	≤ 30 V
Maximum permissible ambient temperature	≤ 80 °C (≤ 176 °F)

Electrical connection

